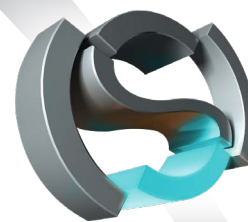


BL 2150 New High Tech Series

! Heat - High Voltage - Peak- Protected
Does Not Produce Frequency Interference

Marine grade downlight



STEIN
MARINE LIVING

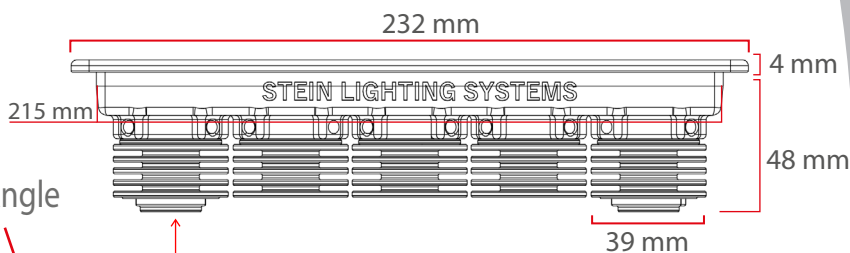


Product Specifications

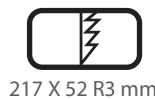
Power Consumption	: 3 X 5 = 15 Watt
Standart Voltage Internal Driver	: 24 VDC Protected 60 VDC
Optional Driverless	:
Light Source Led	:LED
Dimmable	: PWM,Voltage, Current
Luminous Flux	: 2.100 Lumens

Can Control Temp	Does Not Cause fire	High Voltage Limit	Does Not Cause Frequency

Dimensions



The Driver Is Protected In An Aluminum Housing
These Dimensions Can Be Changed Optionally

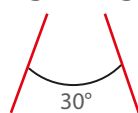


Material Colors



And Other Ral Codes

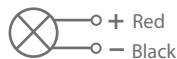
Light Angle



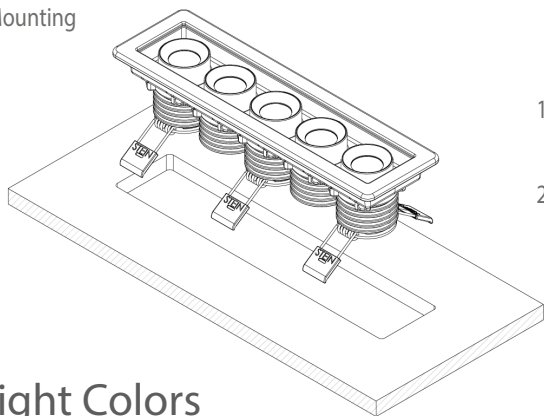
Optional Connection



Standart Connection

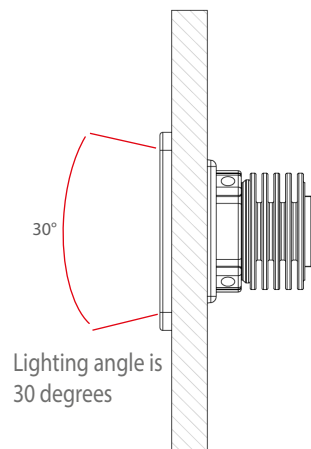


Mounting

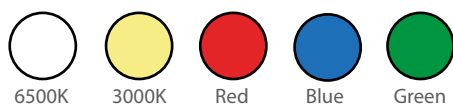


Area Of Application
Exterior

1. Apply insulation material to the hole you made
2. Pass the product through the hole by stretching the springs



Light Colors



Certifications

