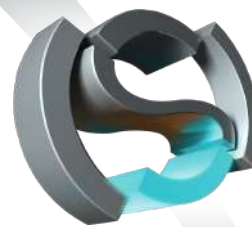


Mila 80F New High Tech Series

**! Heat - High Voltage - Peak- Protected
Does Not Produce Frequency Interference**

Marine grade downlight



STEIN
MARINE LIVING



Optional

Special Arrangements Can Be Made For Projects Including Different Sizes, Materials, Material Colors

Product Specifications

Power Consumption	: 6 Watt
Standart Voltage Internal Driver	: 24 VDC Protected 60 VDC
Protection	: Temperature Control
Light Source Led	: LED
Dimmable	: PWM, Voltage, Current
Luminous Flux	: 720 Lumens

Can Control Temp



Does Not Cause fire



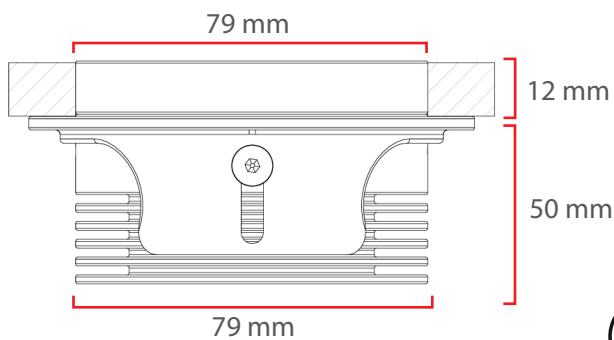
High Voltage Limit



Does Not Cause Frequency



Dimensions



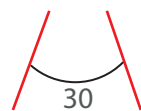
80-82 mm

Material Colors



And Other Ral Codes

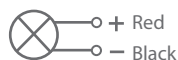
Light Angle



Optional Connection



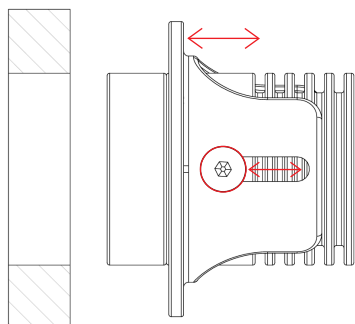
Standart Connection



These Dimensions Can Be Changed Optionally

The Driver Is Protected In An Aluminum Housing

Mounting

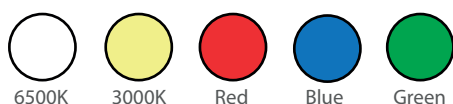


Area Of Application

IP 40 Interior

1. Cut the panel with the specified hole diameter.
2. Pass the product through the hole and adjust its height by loosening the screws.
3. Tighten the screws again and mount the installation bracket with a screw.

Light Colors



Certifications

