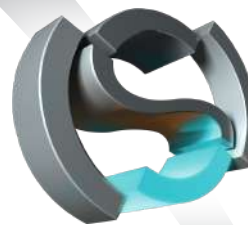


# Mila 40A New High Tech Series

**! Heat - High Voltage - Peak- Protected  
Does Not Produce Frequency Interference**

Marine grade downlight



**STEIN**  
MARINE LIVING

## Optional

Special Arrangements Can Be Made For Projects Including Different Sizes, Materials, Material Colors



## Product Specifications

Power Consumption	: 4 Watt
Standart Voltage Internal Driver	: 24 VDC Protected 60 VDC
Protection	: Temperature Control
Light Source Led	: LED
Dimmable	: PWM, Voltage, Current
Luminous Flux	: 480 Lumens

Can Control Temp



Does Not Cause fire



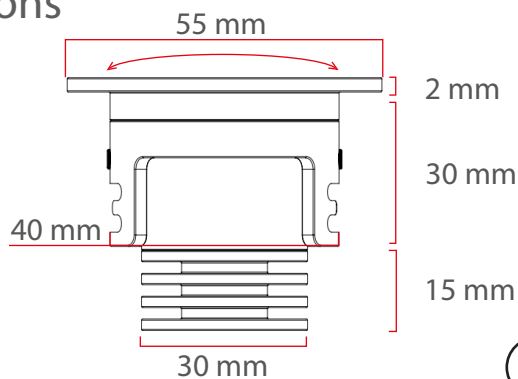
High Voltage Limit



Does Not Cause Frequency



## Dimensions



2 mm

30 mm

15 mm

30 mm



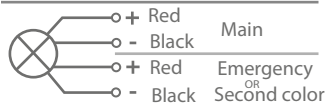
41-42 mm

## Material Colors



And Other Ral Codes

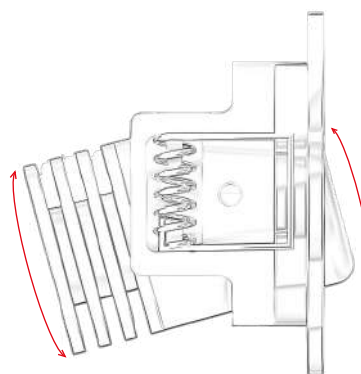
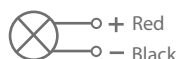
## Optional Connection



## Light Angle



## Standart Connection



Our product can be easily moved along the horizontal axis. When users position it as desired and release it, the lamp remains fixed in that position. This flexibility perfectly caters to your lighting needs in any environment.

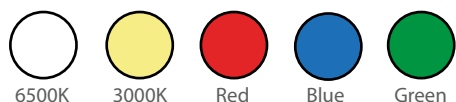
## Area Of Application

IP 40 Interior

These Dimensions Can Be Changed Optionally

The Driver Is Protected In An Aluminum Housing

## Light Colors



## Certifications

