

# Emma 40S

!Heat-High Voltage-Peak-Protected  
Does Not Produce Frequency Interference

Marine Grade Downlight



## Optional

Special Arrangements Can Be Made For Projects Including Different Sizes, Materials, Material Colors

## Optional

Main Light And Emergency OR Second Color

## Product Specifications

- Power Consumption.....: 3 Watt
- Standart Voltage Internal Driver.....: 24 VDC Protected 60 VDC
- Energy Productivity.....: %95
- Light Source Led.....: Mid Power OR High Power
- Dimmable.....: PWM, Voltage, Current
- Luminous Flux.....: 420 Lumens

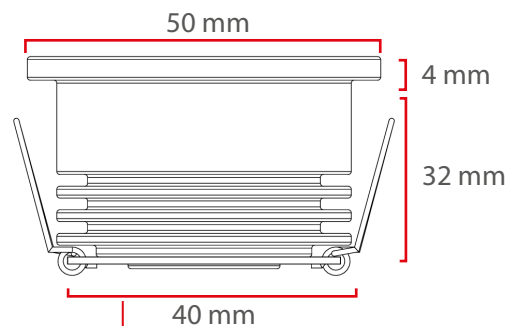
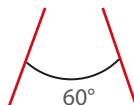
Temp Control      Does Not Cause fire      Voltage Limit





## Dimensions

### Light Angle



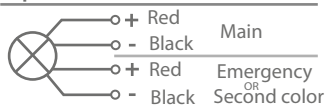
The Driver Is Protected In An Aluminum Housing

## Material Colors

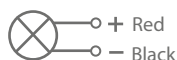


And Other Ral Codes

## Optional Connection



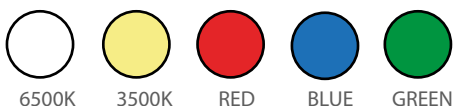
## Standart Connection



## Area Of Application

Interior      Exterior

## Light Colors



## Certifications

