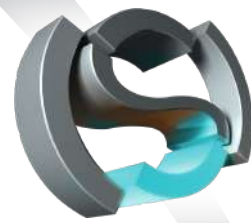


# Aria 310 V2

!Heat-High Voltage-Peak-Protected  
Does Not Produce Frequency Interference

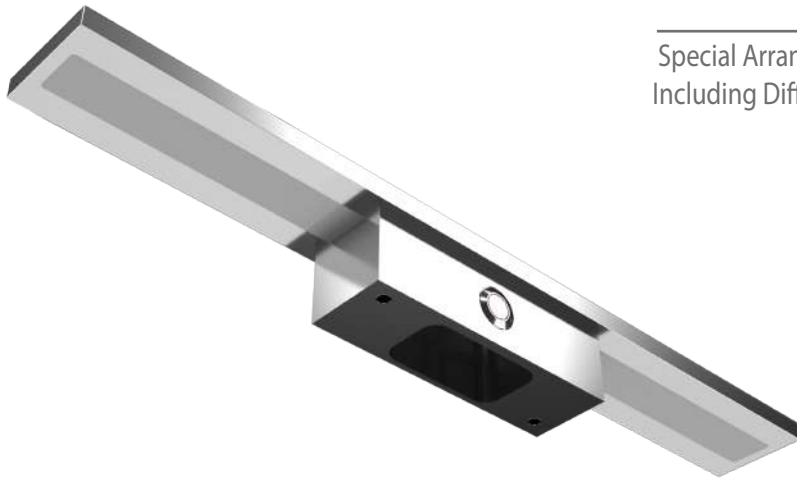
Marine Grade Downlight



**STEIN**  
MARINE LIVING

## Optional

Special Arrangements Can Be Made For Projects Including Different Sizes, Materials, Material Colors



## Optional

Main Light And Emergency  
OR  
Second Color

## Product Specifications

- Power Consumption.....: 4 Watt
- Standart Voltage Internal Driver.....: 24 VDC Protected 60 VDC
- Energy Productivity.....: %95
- Light Source Led.....: Mid Power
- Dimmable.....: PWM, Voltage, Current
- Luminous Flux.....: 450 Lumens

Temp Control



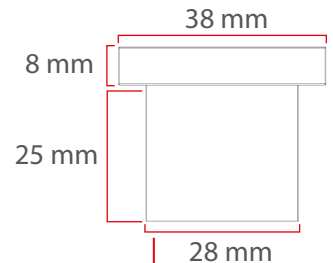
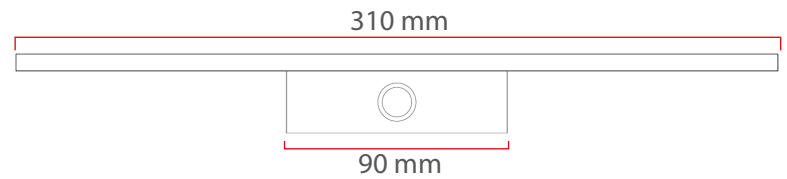
Does Not Cause fire



Voltage Limit



## Dimensions

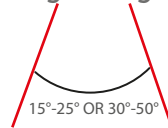


## Material Colors



And Other Ral Codes

## Light Angle

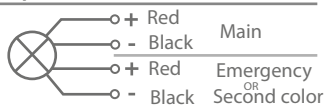


The Driver Is Protected In An Aluminum Housing

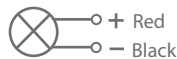
## Area Of Application

Interior

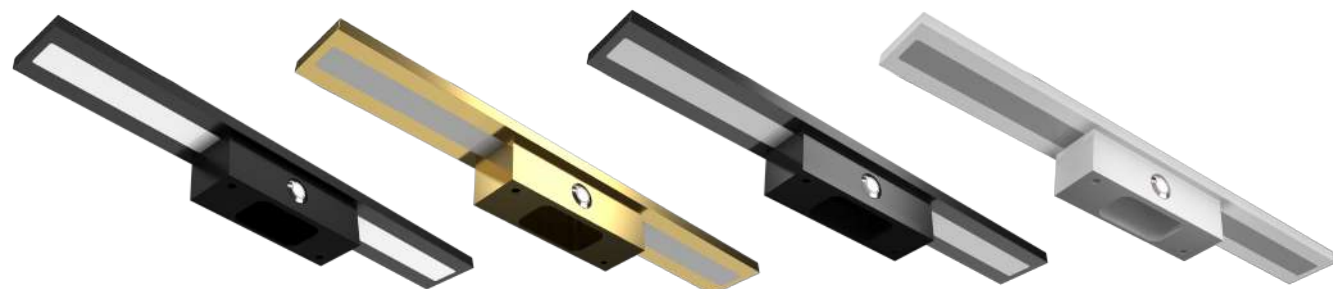
## Optional Connection



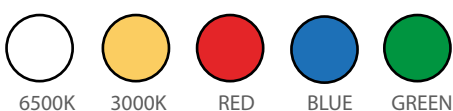
## Standart Connection



## Finishes



## Light Colors



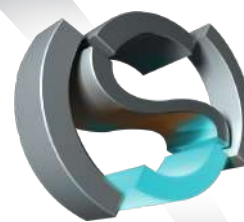
## Certifications



# Aria 310 V2

!Heat-High Voltage-Peak-Protected  
Does Not Produce Frequency Interference

Marine Grade Downlight



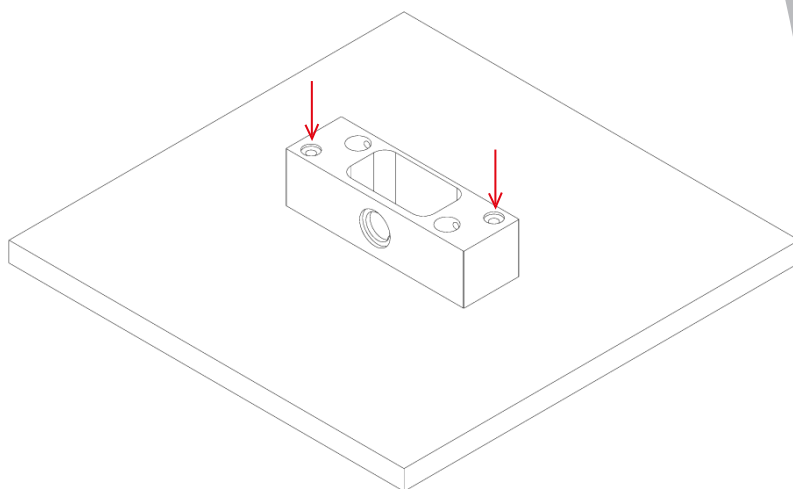
**STEIN**  
MARINE LIVING

## Mounting



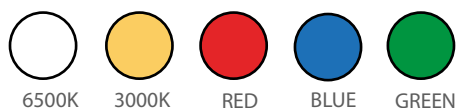
First, loosen the set screws of the lower part to separate it from the other part.

Secure the separated part to the mounting location using two screws at the indicated points.



After mounting the part, place the other part back in position and tighten the set screws again.

## Light Colors



6500K 3000K RED BLUE GREEN

## Certifications

