

Mila 60A

**!Heat-High Voltage-Peak-Protected
Does Not Produce Frequency Interference**

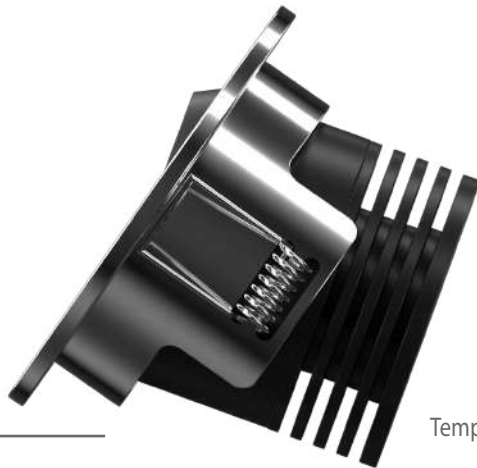


Marine Grade Downlight



Optional

Special Arrangements Can Be Made For Projects Including Different Sizes, Materials, Material Colors



Optional

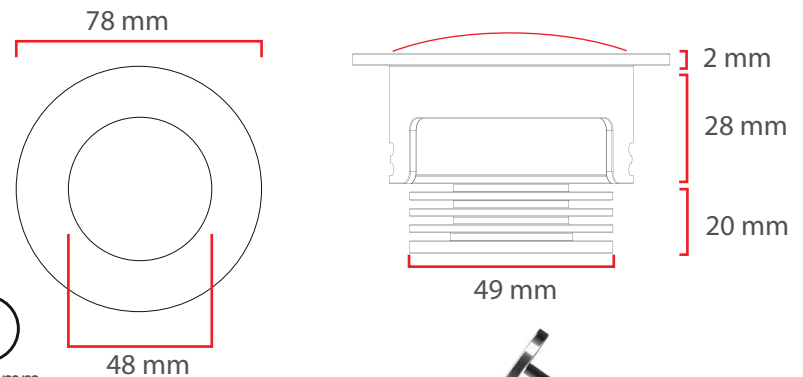
Main Light And Emergency OR Second Color



Product Specifications

- Power Consumption.....: 5, 7, 9, 12 Watt
- Standart Voltage Internal Driver.....: 24 VDC Protected 60 VDC
- Optional Driverless.....: Current 3 OR 18V 300-1500 MA
- Light Source Led.....: Mid Power OR High Power
- Dimmable.....: PWM, Voltage, Current
- Luminous Flux.....: 500-1000-1500 Lumens

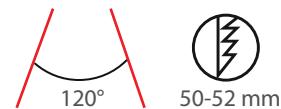
Dimensions



Material Colors

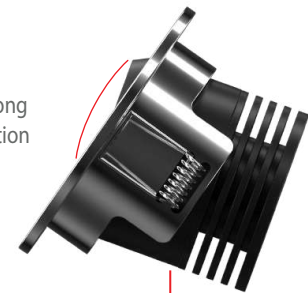


Light Angle



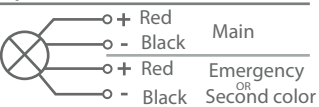
And Other Ral Codes

Our product can be easily moved along the horizontal axis. When users position it as desired and release it, the lamp remains fixed in that position. This flexibility perfectly caters to your lighting needs in any environment.

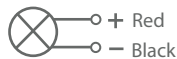


The Driver Is Protected In An Aluminum Housing

Optional Connection

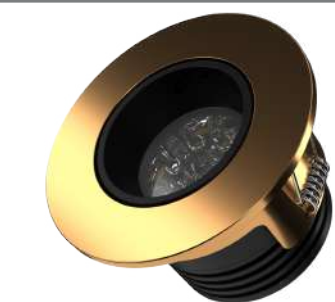


Standart Connection

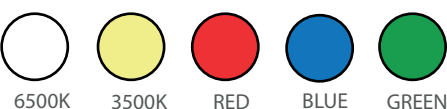


Area Of Application

Exterior



Light Colors



Certifications

