

Nelly V3 28-33-30



**!Heat-High Voltage-Peak-Protected
Does Not Produce Frequency Interference**

Marine Grade Downlight

Optional

Special Arrangements Can Be Made For Projects Including Different Sizes, Materials, Material Colors



Optional

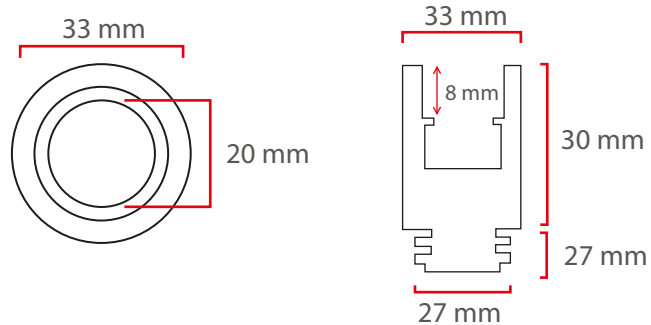
Main Light And Emergency
OR
Second Color

Product Specifications

- Power Consumption.....: 5,7,9,12Watt
- Standart Voltage Internal Driver.....: 24 VDC Protected 60 VDC
- Optional Driverless.....: Current 3 OR 18 V 300 -1.500 ma
- Light Source Led.....: Mid Power OR High Power
- Dimmable.....: PWM,Voltage, Current
- Luminous Flux.....: 500 - 1.000 - 1.350 Lumens

Temp Control Does Not Cause fire Voltage Limit Does Not Cause Frequency

Dimensions



28-29 mm

Material Colors



Light Angle

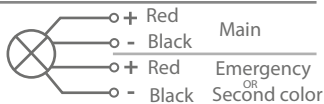


And Other Ral Codes

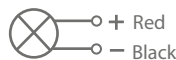
These Dimensions Can Be Changed Optionally

The Driver Is Protected In An Aluminum Housing

Optional Connection



Standart Connection



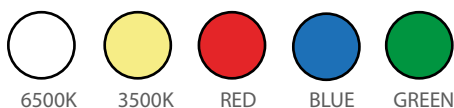
Area Of Application

IP 40 Interior

IP 65 Exterior



Light Colors



Certifications

