

Nelly 70-20

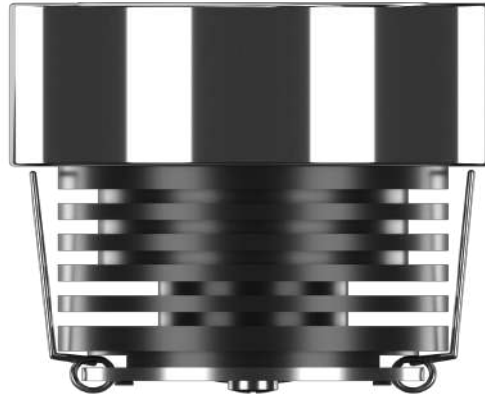


**!Heat-High Voltage-Peak-Protected
Does Not Produce Frequency Interference**

Marine Grade Downlight

Optional

Special Arrangements Can Be Made For Projects Including Different Sizes, Materials, Material Colors



Optional

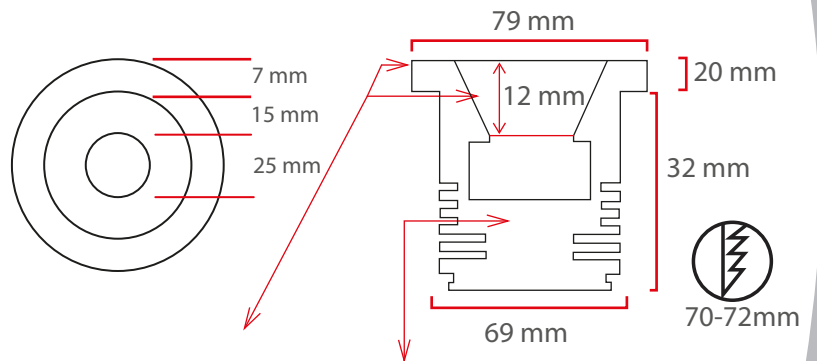
Main Light And Emergency
OR
Second Color

Product Specifications

- Power Consumption.....: 5,7,9,12 Watt
- Standart Voltage Internal Driver.....: 24 VDC Protected 60 VDC
- Optional Driverless.....: Current 3 OR 18 V 300 -1.500 ma
- Light Source Led.....: Mid Power OR High Power
- Dimmable.....: PWM, Voltage, Current
- Luminous Flux.....: 500 - 1.000 - 1.350 Lumens

| | | | |
|--------------|---------------------|---------------|--------------------------|
| Temp Control | Does Not Cause fire | Voltage Limit | Does Not Cause Frequency |
| | | | |

Dimensions



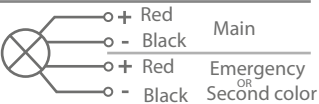
These Dimensions Can Be Changed Optionally

The Driver Is Protected In An Aluminum Housing

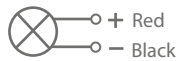
Material Colors

| | | | |
|--------------|--------------|----------------|---|
| | | | Light Angle 15-25 OR 30-50 And Other Ral Codes |
| | | | |
| BLACK PLATED | GOLD PLATED | 316 L POLISHED | |
| ANTIQUÉ | WHITE PLATED | 316 L STAINÉ | |

Optional Connection



Standart Connection



Area Of Application

IP 40 Interior

IP 65 Exterior

Light Colors

| | | | | |
|-------|-------|-----|------|-------|
| | | | | |
| 6500K | 3500K | RED | BLUE | GREEN |

Certifications

| | | | | | |
|--|--|--|--------------|--|--|
| | | | IP40 OR IP65 | | |
|--|--|--|--------------|--|--|