

MEENA S-WT



**!Heat-High Voltage-Peak-Protected
Does Not Produce Frequency Interference**

Marine Grade Downlight



Optional

Special Arrangements Can Be Made For Projects Including Different Sizes, Materials, Material Colors

Optional

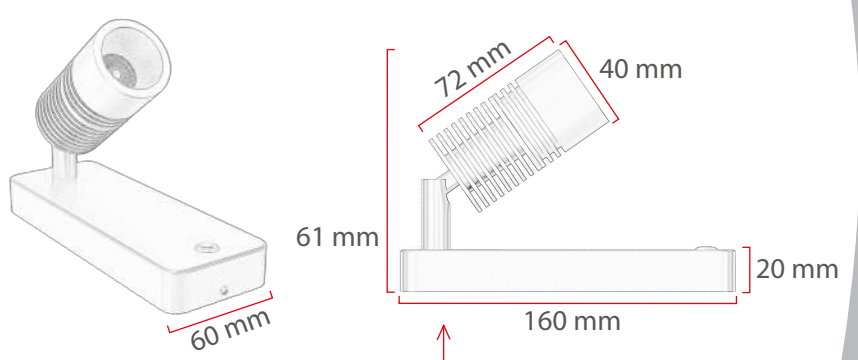
Main Light And Emergency OR Second Color

Product Specifications

- Power Consumption.....: 5 Watt
- Standart Voltage Internal Driver.....: 24 VDC Protected 60 VDC
- Optional Driverless.....: Current 3 OR 18 V 300 -1.500 ma
- Light Source Led.....: Mid Power OR High Power
- Dimmable.....: PWM, Voltage, Current
- Luminous Flux.....: 700 Lumens

Temp Control	Does Not Cause fire	Voltage Limit

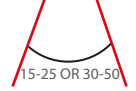
Dimensions



Material Colors

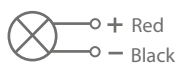


Light Angle

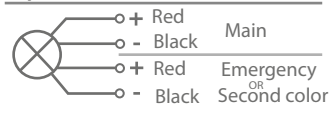


And Other Ral Codes

Standart Connection



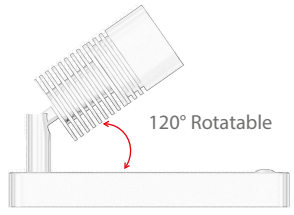
Optional Connection



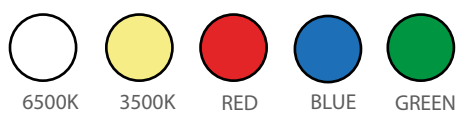
The Driver Is Protected In An Aluminum Housing

Area Of Application

IP 40 Interior



Light Colors



Certifications

