

# STEIN CR18-120 37.500 Lm

**!Heat-High Voltage-Peak-Protected  
Does Not Produce Frequency Interference**

Marine Grade Downlight



## Information

This Special Product, Equipped With High Lumen Power And An Elegant Design, Has Been Designed To Operate In All Adverse Condition Underwater This Product Is Completely Waterproof And Provides You With High-Powered Seamless And Comfortable Lighting While You're On Your Yacht The STEIN Difference **ALWAYS BETTER**

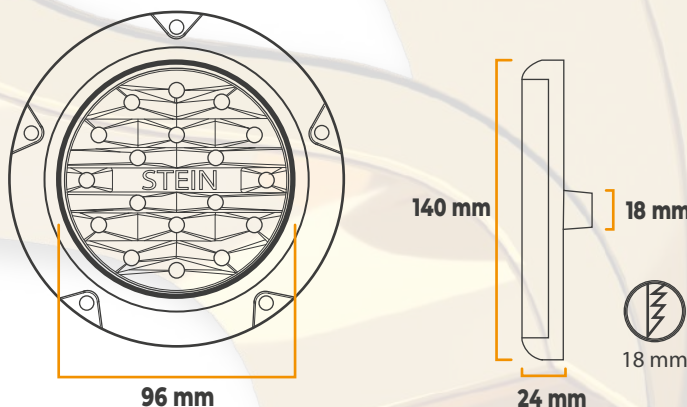


## Product Specification

- Power Consumption: (WHITE) 120 Watt
- Power Consumption(BLUE): 90 Watt
- Power Consumption(WHITE & BLUE): 110 Watt
- Voltage .....: 24 VDC
- Driver.....: Internal Driver
- Light Source.....: High Power Led
- Fixture Lumens.....: 37.500 Lm
- Light Color.....: Standart White 6.500k OR Blue
- Light Color.....: Optional White And Blue
- For Blue and White (Blue 8.000 lumens)  
(White 25.000 lumens)

**Dimensions**

Temp Control Does Not Cause Fire Voltage Limit

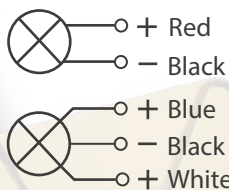


## Material

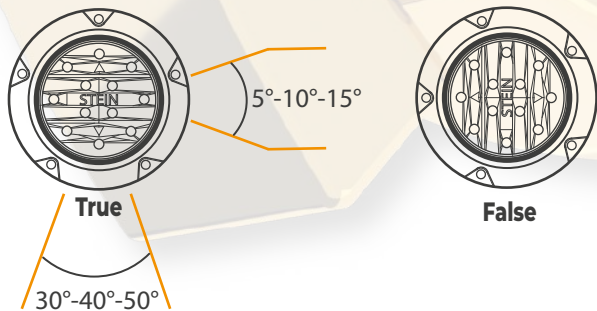


316 Stainless Steel

## Connection

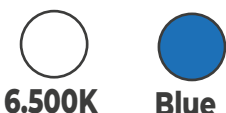


## Mounting Position



To make the best use of light efficiency the lens angles have been specially optimized to create a parallel light on the sea surface. For example, horizontally at 30°-40°-50° and vertically at 5°-10°-15°, with different angles complementing each other, providing an excellent pattern on the water surface

## Standart Light Colors



## Optional Light Color



## Certifications

