

STEIN CR12-80 25.000 Lm

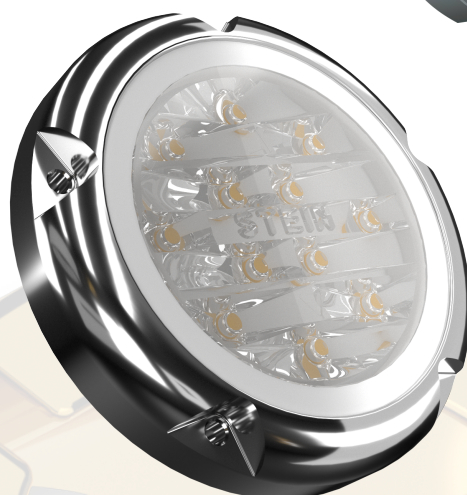
**!Heat-High Voltage-Peak-Protected
Does Not Produce Frequency Interference**

Marine Grade Downlight



Information

This Special Product, Equipped With High Lumen Power And An Elegant Design, Has Been Designed To Operate In All Adverse Condition Underwater This Product Is Completely Waterproof And Provides You With High-Powered Seamless And Comfortable Lighting While You're On Your Yacht The STEIN Difference **ALWAYS BETTER**

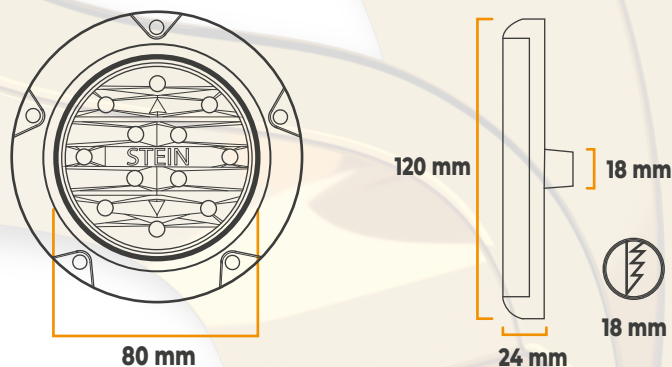


Product Specification

- Power Consumption(WHITE): 80 Watt
- Power Consumption(BLUE): 60 Watt
- Power Consumption(WHITE & BLUE): 70 Watt
- Voltage: 24 VDC
- Driver.....: Internal Driver
- Light Source.....: High Power Led
- Fixture Lumens.....: 22.750 Lm
- Light Color.....: Standart White 6.500k OR Blue
- Light Color.....: Optional White And Blue
- For Blue and White (Blue 5.500 lumens)
(White 12.500 lumens)

Dimensions

Temp Control Does Not Cause Fire Voltage Limit



Material

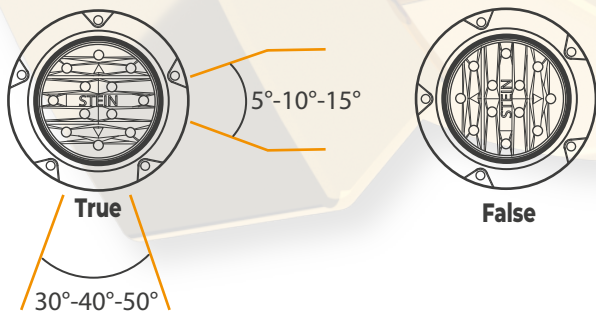


316 Stainless Steel

Connection



Mounting Position



To make the best use of light efficiency the lens angles have been specially optimized to create a parallel light on the sea surface. For example, horizontally at 30°-40°-50° and vertically at 5°-10°-15°, with different angles complementing each other, providing an excellent pattern on the water surface

Standart Light Colors



Optional Light Color



Certifications

