

# ANNA T



**!Heat-High Voltage-Peak-Protected  
Does Not Produce Frequency Interference**

Marine Grade Downlight

## Optional

Special Arrangements Can Be Made For Projects Including Different Sizes, Materials, Material Colors



## Optional

Main Light And Emergency OR Second Color

## Product Specifications

- Power Consumption.....: 5 Watt (Per Lamp)
- Standart Voltage Internal Driver.....: 24 VDC Protected 60VDC
- Optional Driverless.....: Current 3 OR 18 V 300 -1.500 ma
- Light Source Led.....: Mid Power OR High Power
- Dimmable.....: PWM, Voltage, Current
- Luminous Flux.....: 700 Lumens

Temp Control



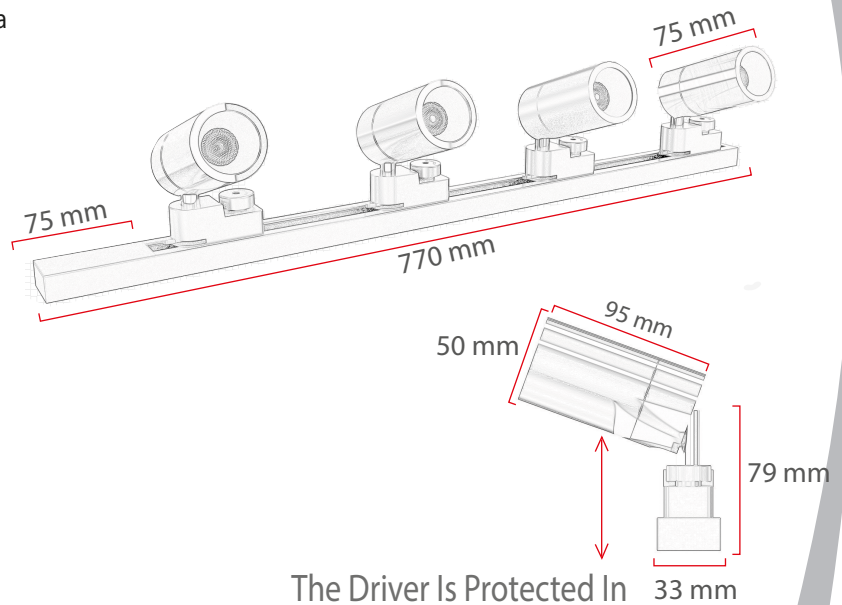
Does Not Cause fire



Voltage Limit



## Dimensions



## Material Colors



Light Angle

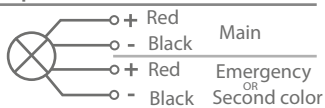


And Other Ral Codes

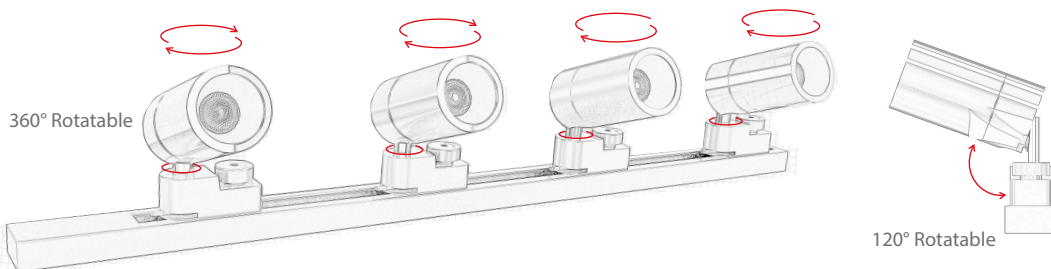
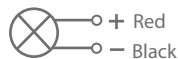
The Driver Is Protected In An Aluminum Housing

Area Of Application  
IP 40 Interior

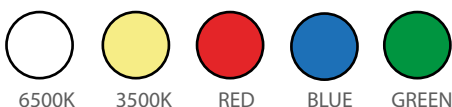
## Optional Connection



## Standart Connection



## Light Colors



## Certifications

