

ANNA S-WT



**!Heat-High Voltage-Peak-Protected
Does Not Produce Frequency Interference**

Marine Grade Downlight



Optional

Special Arrangements Can Be Made For Projects Including Different Sizes, Materials, Material Colors



Optional

Main Light And Emergency
OR
Second Color

Product Specifications

- Power Consumption.....: 5 Watt
- Standart Voltage Internal Driver.....: 24 VDC Protected 60 VDC
- Optional Driverless.....: Current 3 OR 18 V 300 -1.500 ma
- Light Source Led.....: Mid Power OR High Power
- Dimmable.....: PWM, Voltage, Current
- Luminous Flux.....: 700 Lumens

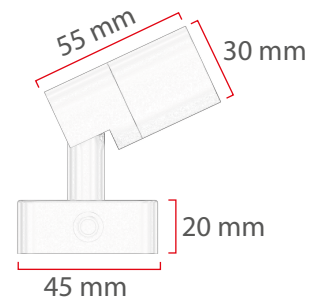
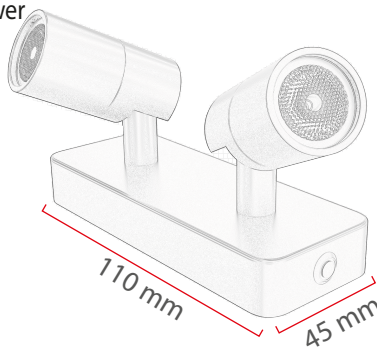
Temp Control

Does Not Cause fire

Voltage Limit



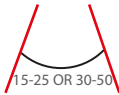
Dimensions



Material Colors

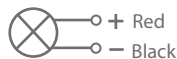


Light Angle



And Other Ral Codes

Standart Connection

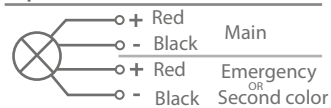


The Driver Is Protected In An Aluminum Housing

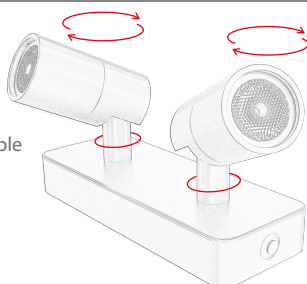
Area Of Application

IP 40 Interior

Optional Connection



360° Rotatable



Certifications



Light Colors

