

# MEENA



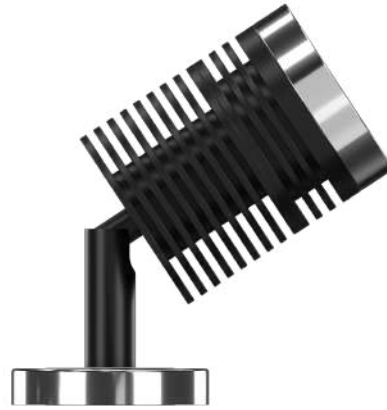
**!Heat-High Voltage-Peak-Protected  
Does Not Produce Frequency Interference**

Marine Grade Downlight



## Optional

Special Arrangements Can Be Made For Projects Including Different Sizes, Materials, Material Colors



## Optional

Main Light And Emergency  
OR  
Second Color

## Product Specifications

- Power Consumption.....: 5 Watt
- Standart Voltage Internal Driver.....: 24 VDC Protected 60 VDC
- Optional Driverless.....: Current 3 OR 18 V 300 -1.500 ma
- Light Source Led.....: Mid Power OR High Power
- Dimmable.....: PWM, Voltage, Current
- Luminous Flux.....: 700 Lumens

Temp Control



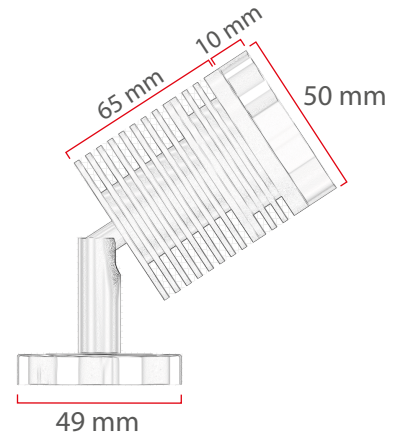
Does Not Cause fire



Voltage Limit



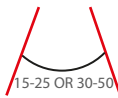
## Dimensions



## Material Colors

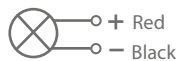


Light Angle



And Other Ral Codes

## Standart Connection



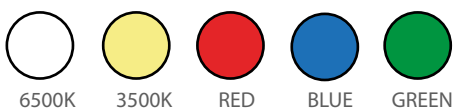
## Optional Connection



## Area Of Application

IP 40 Interior

## Light Colors



## Certifications

