

# MEENA S



**!Heat-High Voltage-Peak-Protected  
Does Not Produce Frequency Interference**

Marine Grade Downlight



### Optional

Special Arrangements Can Be Made For Projects Including Different Sizes, Materials, Material Colors



### Optional

Main Light And Emergency OR Second Color

### Product Specifications

- Power Consumption.....: 5 Watt
- Standart Voltage Internal Driver.....: 24 VDC Protected 60 VDC
- Optional Driverless.....: Current 3 OR 18 V 300 -1.500 ma
- Light Source Led.....: Mid Power OR High Power
- Dimmable.....: PWM, Voltage, Current
- Luminous Flux.....: 700 Lumens

Temp Control



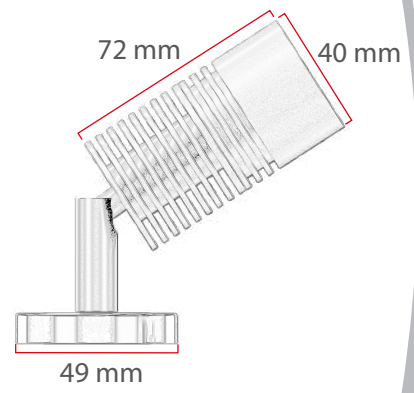
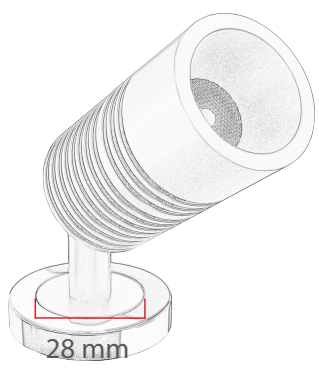
Does Not Cause fire



Voltage Limit



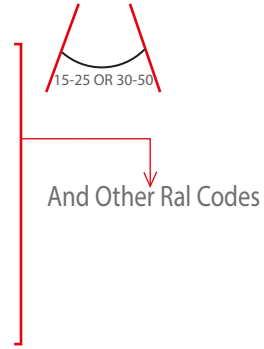
### Dimensions



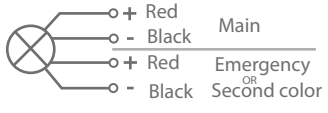
### Material Colors



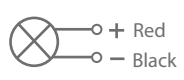
### Light Angle



### Optional Connection



### Standart Connection



### Area Of Application

IP 40 Interior

### Light Colors



### Certifications

