

# NELLY X1-H25



**!Heat-High Voltage-Peak-Protected  
Does Not Produce Frequency Interference**

Marine Grade Downlight



## Optional

Special Arrangements Can Be Made For Projects Including Different Sizes, Materials, Material Colors



## Optional

Main Light And Emergency OR Second Color

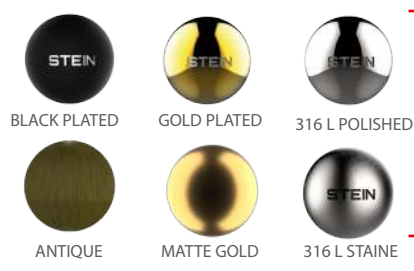
## Product Specifications

- Power Consumption.....: 3 x 4 Watt = 12 Watt
- Standart Voltage Internal Driver.....: 24 VDC Protected 60 VDC
- Optional Driverless.....: Current 3 OR 18V 300 -1.500 ma
- Light Source Led.....: Mid Power OR High Power
- Dimmable.....: PWM, Voltage, Current
- Luminous Flux.....: 500 - 1.000 - 1.350 Lumens

## Dimensions

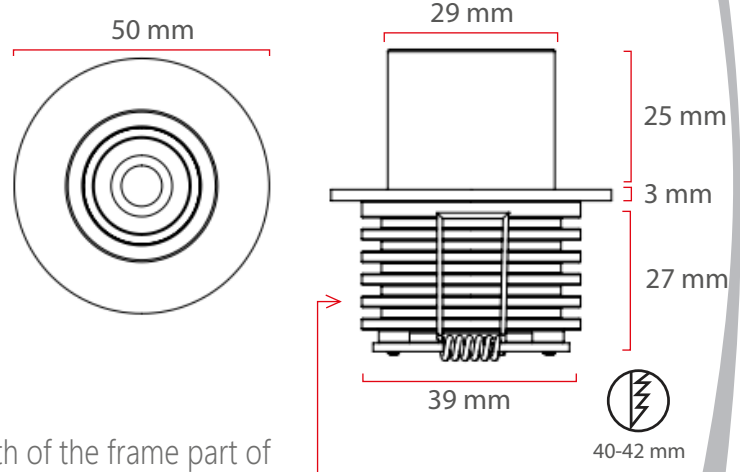
Temp Control  Does Not Cause fire  Voltage Limit 

## Material Colors



And Other Ral Codes

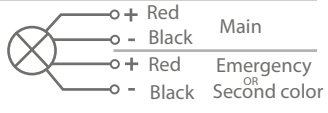
## Light Angle



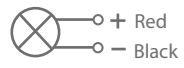
The length of the frame part of the product can vary between 25mm, 50mm, or 75mm as desired

The Driver Is Protected In An Aluminum Housing

## Optional Connection



## Standart Connection

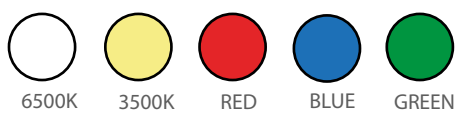


## Area Of Application

IP 40 Interior Optional IP65



## Light Colors



## Certifications

