

Nelly V2-28-34-25



**!Heat-High Voltage-Peak-Protected
Does Not Produce Frequency Interference**

Marine Grade Downlight

Optional

Special Arrangements Can Be Made For Projects Including Different Sizes, Materials, Material Colors



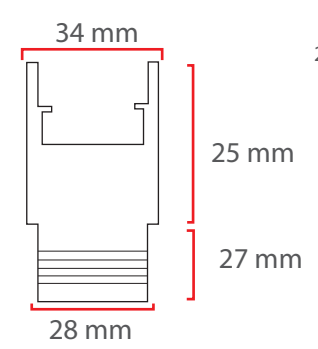
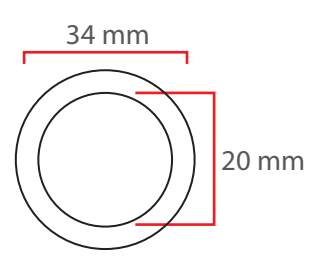
Optional
Main Light And Emergency
OR
Second Color

Product Specifications

- Power Consumption.....: 5,7,9,12Watt
- Standart Voltage Internal Driver.....: 24 VDC Protected 60 VDC
- Optional Driverless.....: Current 3 OR 18 V 300 -1.500 ma
- Light Source Led.....: Mid Power OR High Power
- Dimmable.....: PWM, Voltage, Current
- Luminous Flux.....: 500 - 1.000 - 1.350 Lumens

Temp Control Does Not Cause fire Voltage Limit

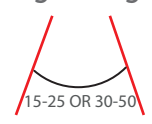
Dimensions



Material Colors



Light Angle

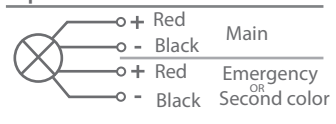


And Other Ral Codes

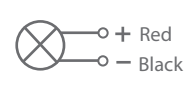
These Dimensions Can Be Changed Optionally

The Driver Is Protected In An Aluminum Housing

Optional Connection



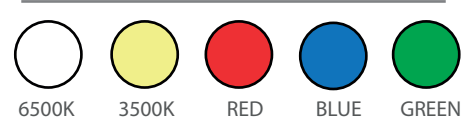
Standart Connection



This product is designed to fit into any space with these dimensions and you can easily mount it by drilling as many holes as you like



Light Colors



Certifications

