

VERA



**!Heat-High Voltage-Peak-Protected
Does Not Produce Frequency Interference**

Marine Grade Downlight



Optional

Special Arrangements Can Be Made For Projects Including Different Sizes, Materials, Material Colors

Optional

Main Light And Emergency
OR
Second Color

Product Specifications

- Power Consumption.....: 1 Watt
- Standart Voltage Internal Driver.....: 24 VDC Protected 60 VDC
- Optional Driverless.....: Current 3 OR 18 V 300 -1.500 ma
- Light Source Led.....: Mid Power OR High Power
- Dimmable.....: PWM, Voltage, Current
- Luminous Flux.....: 140 Lumens

Temp Control



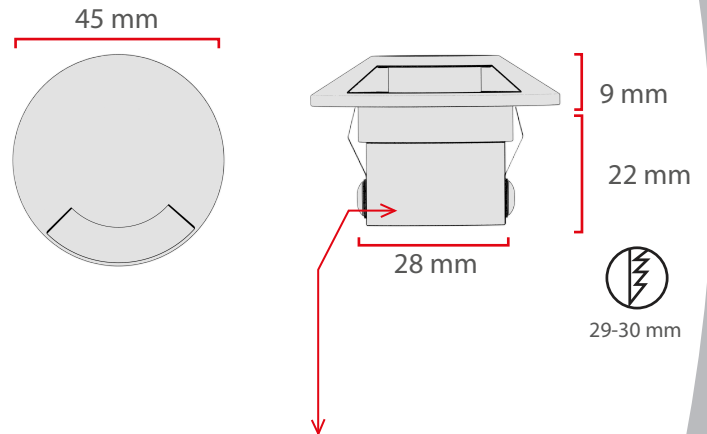
Does Not Cause fire



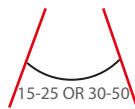
Voltage Limit



Dimensions



Light Angle



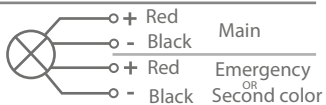
The Driver Is Protected In An Aluminum Housing

Material Colors

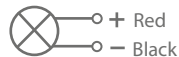


And Other Ral Codes

Optional Connection

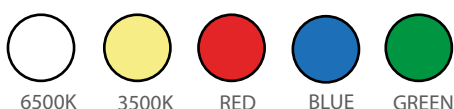


Standart Connection



Area Of Application
IP 40 Interior Optional IP65

Light Colors



Certifications

