

# Nelly X2-3

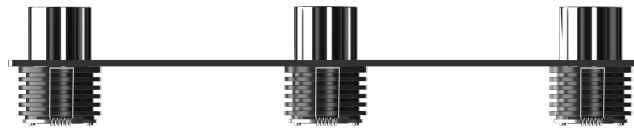
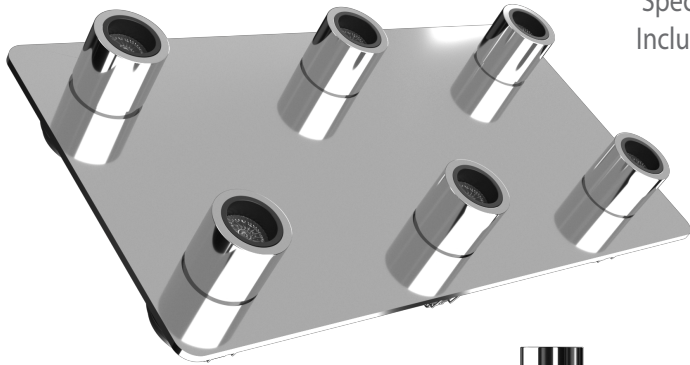
**!Heat-High Voltage-Peak-Protected  
Does Not Produce Frequency Interference**



Marine Grade Downlight

Optional

Special Arrangements Can Be Made For Projects Including Different Sizes, Materials, Material Colors



Optional

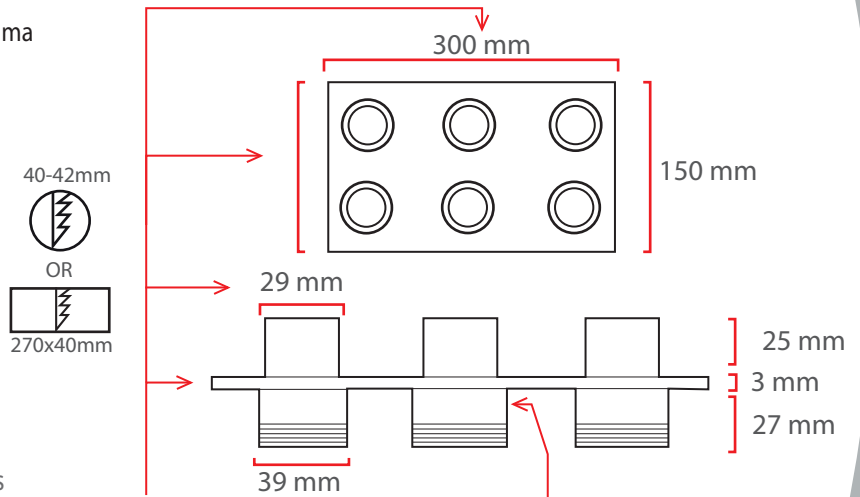
Main Light And Emergency  
OR  
Second Color

## Product Specifications

- Power Consumption.....: 5,7,9,12Watt
- Standart Voltage Internal Driver.....: 24 VDC Protected 60 VDC
- Optional Driverless.....: Current 3 OR 18V 300 -1.500 ma
- Light Source Led.....: Mid Power OR High Power
- Dimmable.....: PWM, Voltage, Current
- Luminous Flux.....: 500 - 1.000 - 1.350 Lumens

Temp Control    Does Not Cause fire    Voltage Limit    Does Not Cause Frequency

## Dimensions



These Dimensions Can Be Changed Optionally    The Driver Is Protected In An Aluminum Housing

## Material Colors



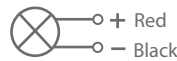
Light Angle



And Other Ral Codes

## Optional Connection

## Standart Connection



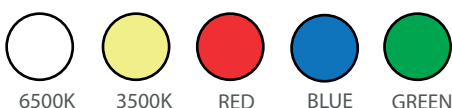
The symbolic colors below can be combined in different color combinations

## Area Of Application

IP 40 Interior

IP 65 Exterior

## Light Colors



## Certifications

