

Nelly X2-2

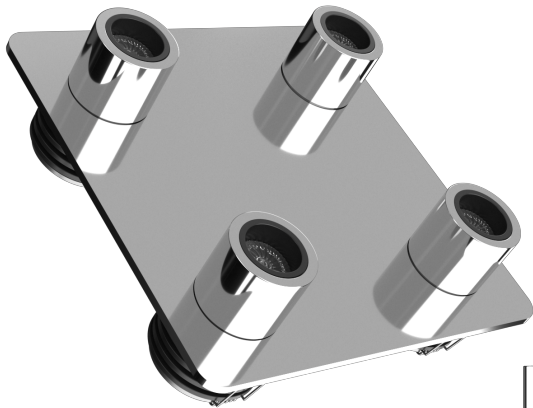
**!Heat-High Voltage-Peak-Protected
Does Not Produce Frequency Interference**



Marine Grade Downlight

Optional

Special Arrangements Can Be Made For Projects Including Different Sizes, Materials, Material Colors



Optional

Main Light And Emergency OR Second Color

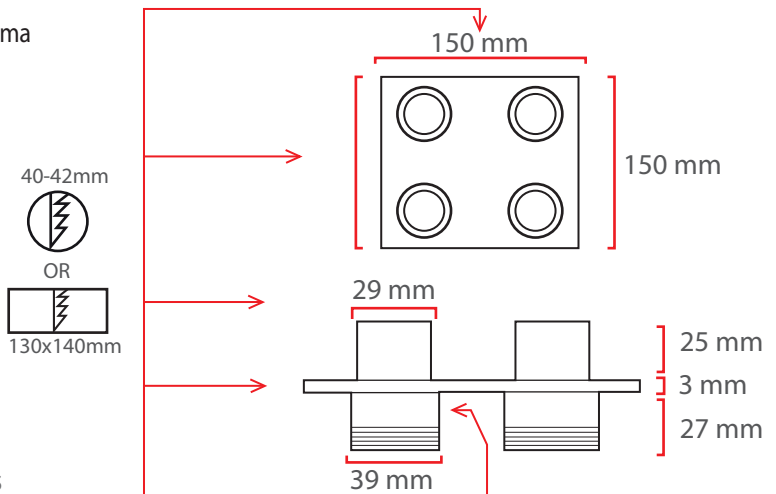


Product Specifications

- Power Consumption.....: 5,7,9,12Watt
- Standart Voltage Internal Driver.....: 24 VDC Protected 60 VDC
- Optional Driverless.....: Current 3 OR 18 V 300 -1.500 ma
- Light Source Led.....: Mid Power OR High Power
- Dimmable.....: PWM, Voltage, Current
- Luminous Flux.....: 500 - 1.000 - 1.350 Lumens

Temp Control Does Not Cause fire Voltage Limit Does Not Cause Frequency

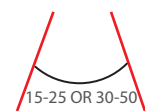
Dimensions



Material Colors



Light Angle



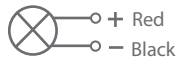
And Other Ral Codes

These Dimensions Can Be Changed Optionally

The Driver Is Protected In An Aluminum Housing

Optional Connection

Standart Connection

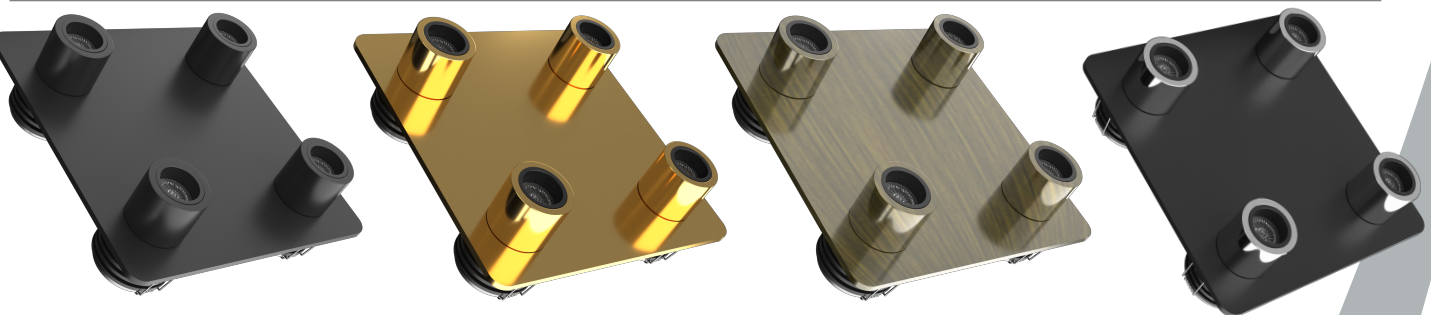


Area Of Application

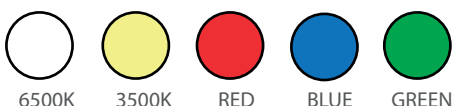
IP 40 Interior

IP 65 Exterior

The symbolic colors below can be combined in different color combinations



Light Colors



Certifications

