

Nelly X1-2

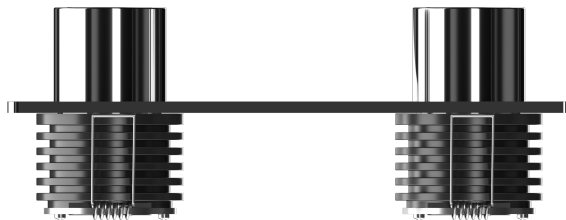
**!Heat-High Voltage-Peak-Protected
Does Not Produce Frequency Interference**



Marine Grade Downlight

Optional

Special Arrangements Can Be Made For Projects Including Different Sizes, Materials, Material Colors



Optional

Main Light And Emergency OR Second Color

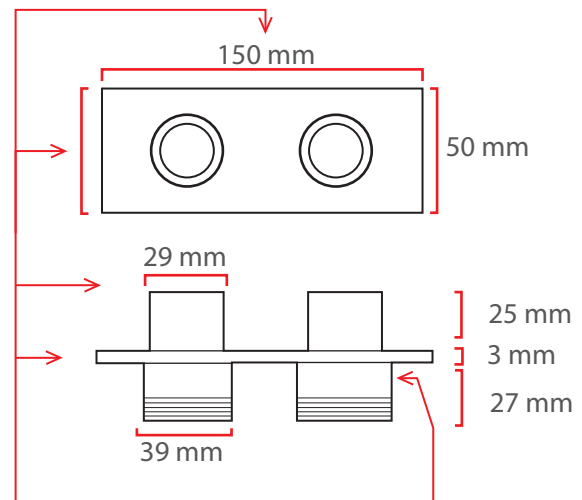
Product Specifications

- Power Consumption.....: 5,7,9,12Watt
- Standart Voltage Internal Driver.....: 24 VDC Protected 60VDC
- Optional Driverless.....: Current 3 OR 18V 300 -1.500 ma
- Light Source Led.....: Mid Power OR High Power
- Dimmable.....: PWM, Voltage, Current
- Luminous Flux.....: 500 - 1.000 - 1.350 Lumens

Does Not Cause fire Does Not Cause Frequency

Temp Control Voltage Limit

Dimensions



These Dimensions Can Be Changed Optionally

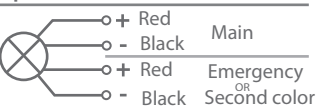
The Driver Is Protected In An Aluminum Housing

Material Colors

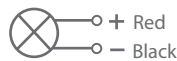
Light Angle: 15-25 OR 30-50

And Other Ral Codes

Optional Connection



Standart Connection

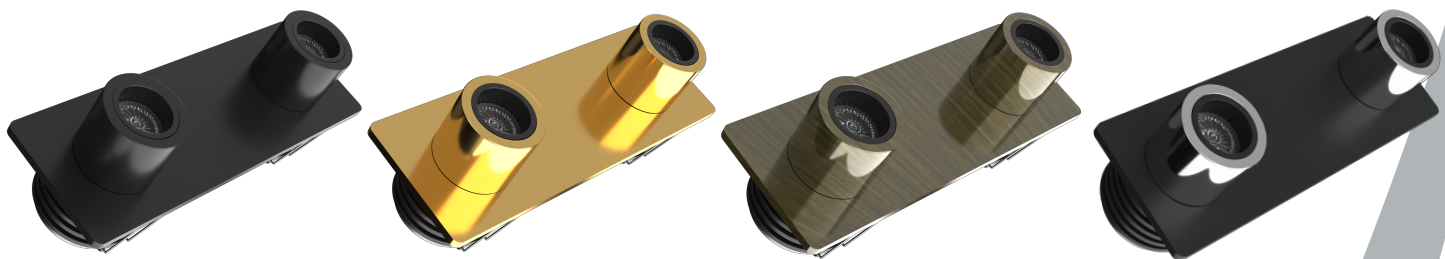


Area Of Application

IP 40 Interior

IP 65 Exterior

The symbolic colors below can be combined in different color combinations



Light Colors

Certifications