

Nelly X4-D20 New High Tech Series



**!Heat-High Voltage-Peak-Protected
Does Not Produce Frequency Interference**

Marine Grade Downlight



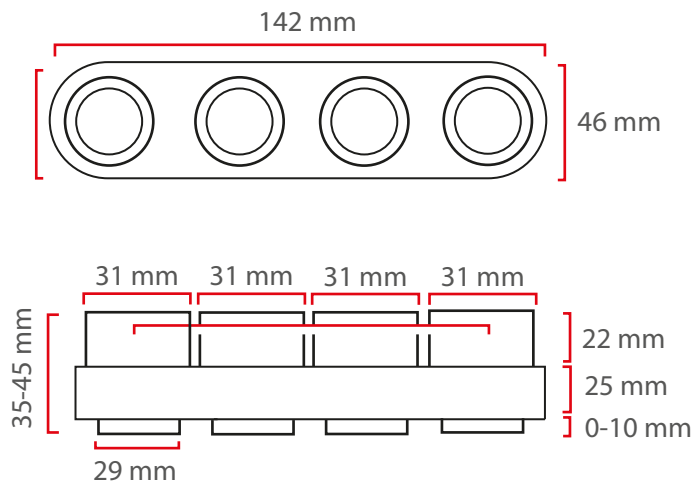
Optional
Main Light And Emergency
OR
Second Color

Product Specifications

- Power Consumption.....: 3 , 5 , 7 Watt (X4)
- Standart Voltage Internal Driver.....: 24 VDC Protected 60 VDC
- Optional Driverless.....: Current 3 OR 18 V 300 -1.500 ma
- Light Source Led.....: Mid Power OR High Power
- Dimmable.....: PWM,Voltage, Current
- Luminous Flux.....: 500 - 1.000 - 1.350 Lumens

Temp Control Does Not Cause fire Voltage Limit Does Not Cause Frequency

Dimensions



Material Colors



Light Angle

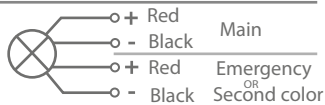


And Other Ral Codes

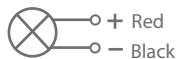
Drivers Are Protected In
An Aluminum Housing
Area Of Application

IP 40 Interior Optional IP65

Optional Connection

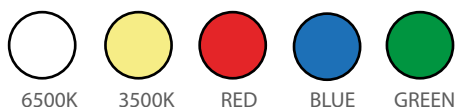


Standart Connection



The symbolic colors below can be combined in different color combinations

Light Colors



Certifications

