

Nelly X2-D20 New High Tech Series



**!Heat-High Voltage-Peak-Protected
Does Not Produce Frequency Interference**

Marine Grade Downlight



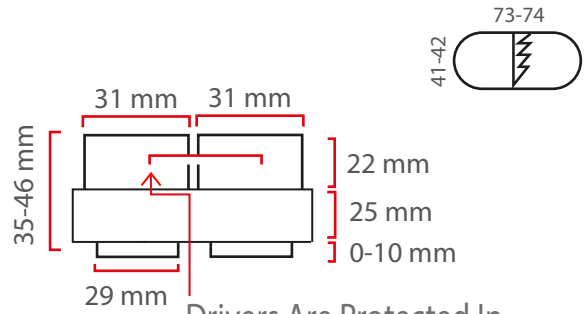
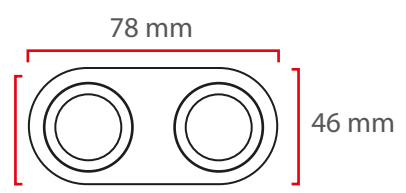
Optional
Main Light And Emergency
OR
Second Color

Product Specifications

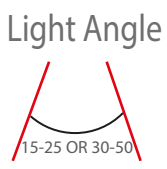
- Power Consumption.....: 3, 5, 7 Watt (X2)
- Standart Voltage Internal Driver.....: 24 VDC Protected 60 VDC
- Optional Driverless.....: Current 3 OR 18 V 300 -1.500 ma
- Light Source Led.....: Mid Power OR High Power
- Dimmable.....: PWM, Voltage, Current
- Luminous Flux.....: 500 - 1.000 - 1.350 Lumens

Temp Control Does Not Cause fire Voltage Limit Does Not Cause Frequency

Dimensions



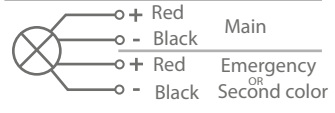
Material Colors



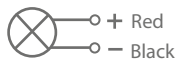
And Other Ral Codes

Drivers Are Protected In An Aluminum Housing

Optional Connection



Standart Connection

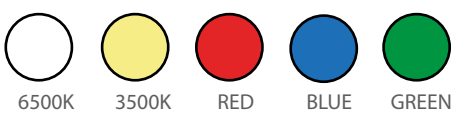


Area Of Application
IP 40 Interior Optional IP65

The symbolic colors below can be combined in different color combinations



Light Colors



Certifications

