

Mila 80F New High Tech Series

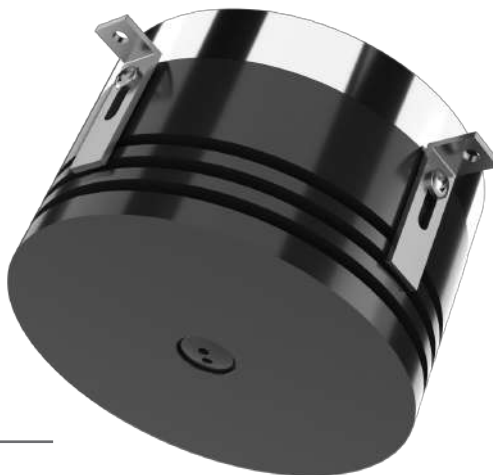
**! Heat - High Voltage - Peak- Protected
Does Not Produce Frequency Interference**

Marine grade downlight



Optional

Special Arrangements Can Be Made For Projects Including Different Sizes, Materials, Material Colors



Optional

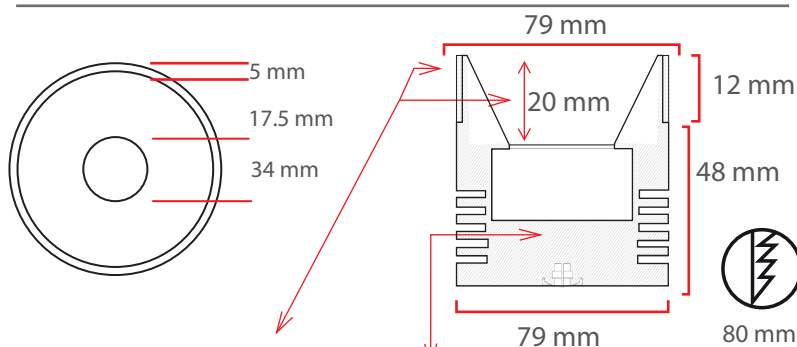
Main Light And Emergency OR Second Color

Product Specifications

- Power Consumption : 6, 9, 12, 14 Watt
- Standart Voltage Internal Driver : 24 VDC Protected 60 VDC
- Optional Driverless : Current 18 V 300-1.500 ma
- Light Source Led : Mid Power OR High Power
- Dimmable : PWM, Voltage, Current
- Luminous Flux : 1.000 -1.350-1.800-2.100 Lumens

Temp Control Does Not Cause fire Voltage Limit Does Not Cause Frequency

Dimensions



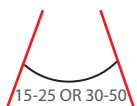
These Dimensions Can Be Changed Optionally

The Driver Is Protected In An Aluminum Housing

Material Colors

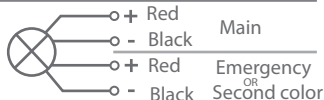


Light Angle

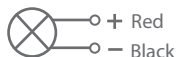


And Other Ral Codes

Optional Connection



Standart Connection

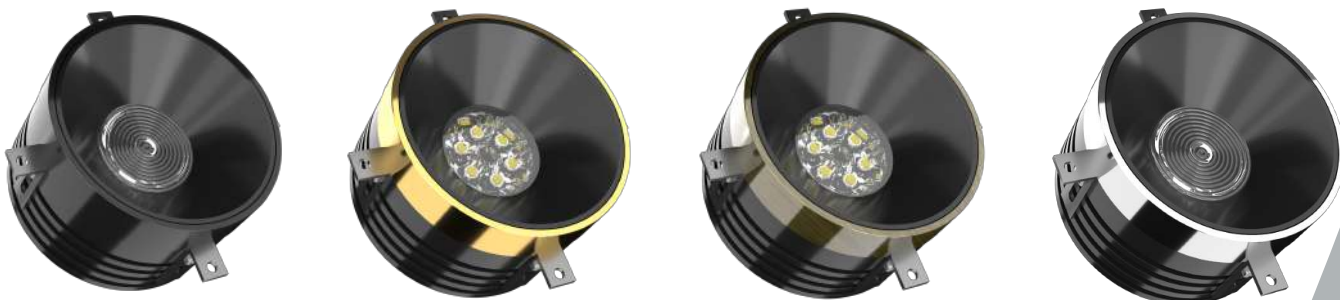


Area Of Application

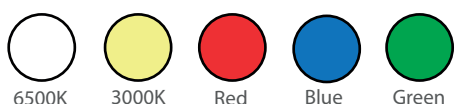
IP 40 Interior

IP 65 Exterior

Interior



Light Colors



Certifications

