

Mila 70S-V2 New High Tech Series

**! Heat - High Voltage - Peak- Protected
Does Not Produce Frequency Interference**

Marine grade downlight



Optional

Special Arrangements Can Be Made For Projects Including Different Sizes, Materials, Material Colors



Optional

Main Light And Emergency OR Second Color

Product Specifications

- Power Consumption : 6, 9, 12, Watt
- Standart Voltage Internal Driver : 24 VDC Protected 60 VDC
- Optional Driverless : Current 18 V 300 -1.500 ma
- Light Source Led : Mid Power OR High Power
- Dimmable : PWM, Voltage, Current
- Luminous Flux : 1.000 -1.350-1.800 Lumens

Temp Control



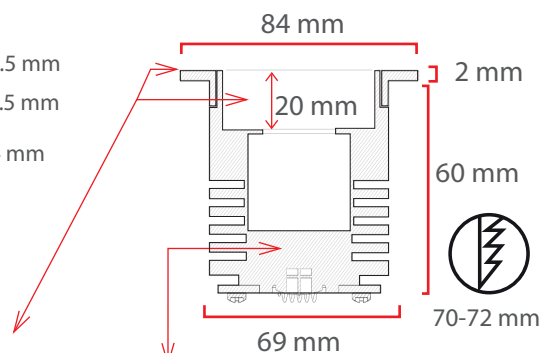
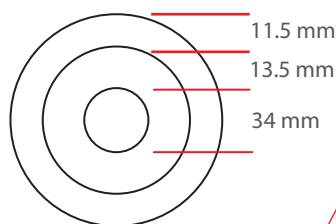
Does Not Cause fire



Voltage Limit

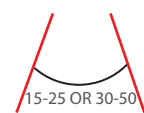


Dimensions



Material Colors

Light Angle



And Other Ral Codes



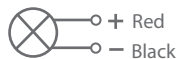
These Dimensions Can Be Changed Optionally

The Driver Is Protected In An Aluminum Housing

Optional Connection



Standart Connection



Area Of Application

IP 40 Interior

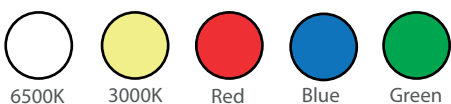
IP 65 Exterior

Interior

Exterior



Light Colors



Certifications

