

Mila 70F New High Tech Series

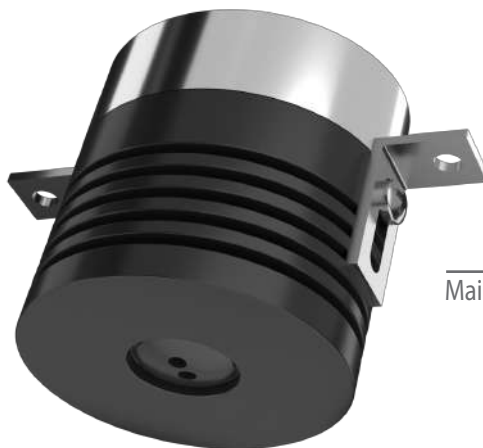
**! Heat - High Voltage - Peak- Protected
Does Not Produce Frequency Interference**

Marine grade downlight



Optional

Special Arrangements Can Be Made For Projects Including Different Sizes, Materials, Material Colors



Optional

Main Light And Emergency OR Second Color

Product Specifications

- Power Consumption : 6, 9, 12, Watt
- Standart Voltage Internal Driver : 24 VDC Protected 60 VDC
- Optional Driverless : Current 18 V 300 -1.500 ma
- Light Source Led : Mid Power OR High Power
- Dimmable : PWM, Voltage, Current
- Luminous Flux : 1.000 -1.350-1.800 Lumens

Material Colors

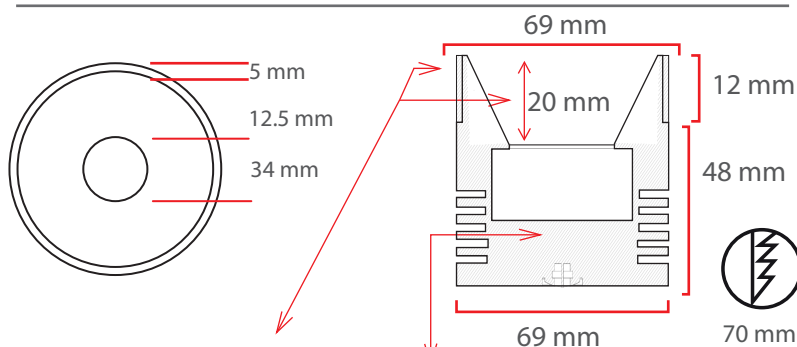


Light Angle



And Other Ral Codes

Dimensions



These Dimensions Can Be Changed Optionally

The Driver Is Protected In An Aluminum Housing

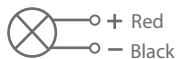
- Temp Control
- Does Not Cause fire
- Voltage Limit
- Does Not Cause Frequency



Optional Connection



Standart Connection



Area Of Application

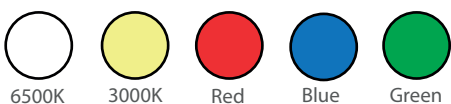
IP 40 Interior

IP 65 Exterior

Interior



Light Colors



Certifications

