

Mila 70F-V2 New High Tech Series

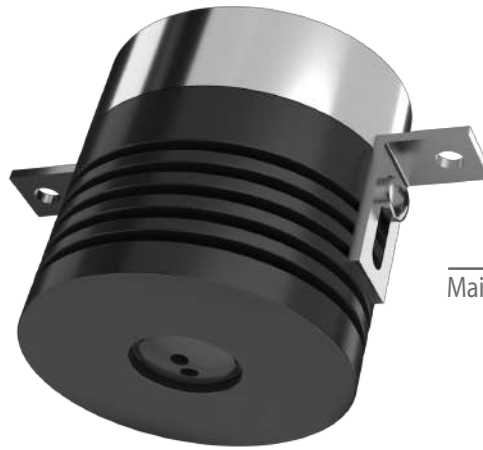
**! Heat - High Voltage - Peak- Protected
Does Not Produce Frequency Interference**

Marine grade downlight



Optional

Special Arrangements Can Be Made For Projects Including Different Sizes, Materials, Material Colors



Optional

Main Light And Emergency
OR
Second Color

Product Specifications

Power Consumption	: 6 , 9, 12, Watt
Standart Voltage Internal Driver	: 24 VDC Protected 60 VDC
Optional Driverless	: Current 18 V 300 -1.500 ma
Light Source Led	: Mid Power OR High Power
Dimmable	: PWM, Voltage, Current
Luminous Flux	: 1.000 -1.350-1.800 Lumens

Temp Control

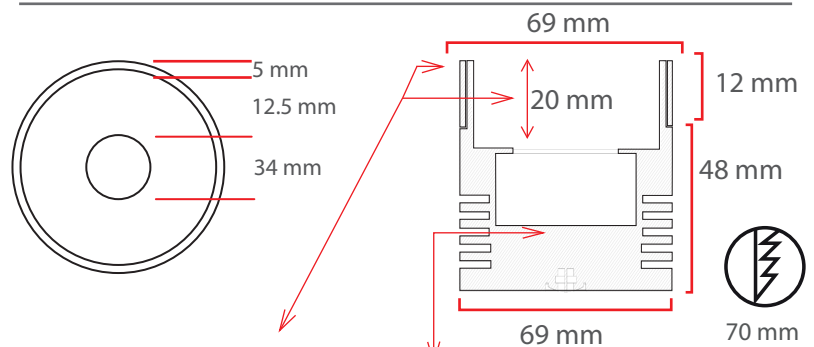
Does Not Cause fire

Voltage Limit

Does Not Cause Frequency



Dimensions



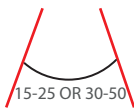
These Dimensions Can Be Changed Optionally

The Driver Is Protected In An Aluminum Housing

Material Colors



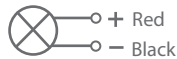
Light Angle



And Other Ral Codes

Optional Connection

Standart Connection



Area Of Application

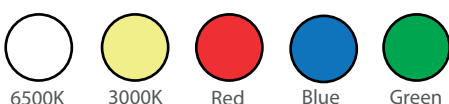
IP 40 Interior

IP 65 Exterior

Interior



Light Colors



Certifications

