

Mila 60F-V2 New High Tech Series

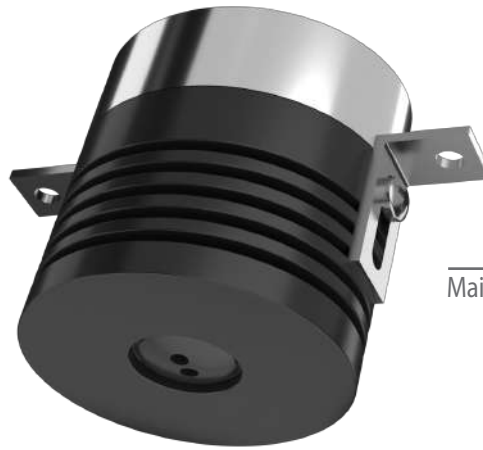
**! Heat - High Voltage - Peak- Protected
Does Not Produce Frequency Interference**

Marine grade downlight



Optional

Special Arrangements Can Be Made For Projects Including Different Sizes, Materials, Material Colors



Optional

Main Light And Emergency OR Second Color

Product Specifications

Power Consumption	: 5,6,9, 12, Watt
Standart Voltage Internal Driver	: 24 VDC Protected 60 VDC
Optional Driverless	: Current 18 V 300 -1.500 ma
Light Source Led	: Mid Power OR High Power
Dimmable	: PWM, Voltage, Current
Luminous Flux	: 1.000 -1.350-1.800 Lumens

Material Colors

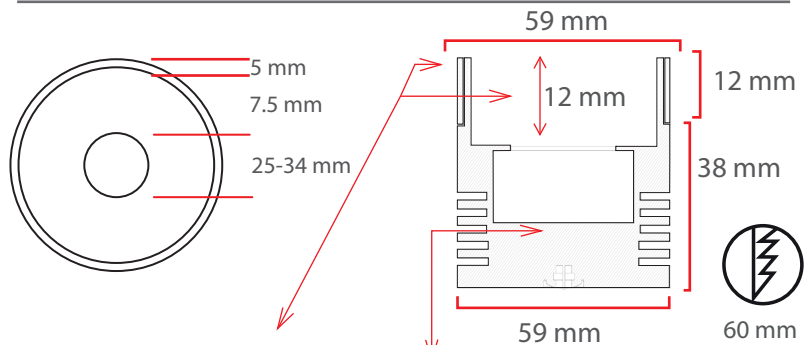


Light Angle



And Other Ral Codes

Dimensions



These Dimensions Can Be Changed Optionally

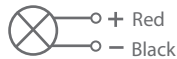
The Driver Is Protected In An Aluminum Housing

Temp Control Does Not Cause fire Voltage Limit Does Not Cause Frequency

Optional Connection



Standart Connection



Area Of Application

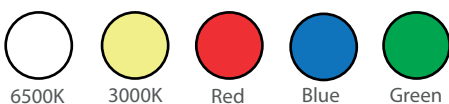
IP 40 Interior

IP 65 Exterior

Interior



Light Colors



Certifications

