

# Mila 40F New High Tech Series

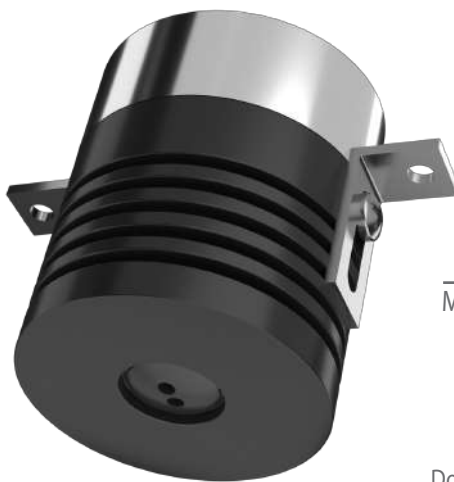
**! Heat - High Voltage - Peak- Protected  
Does Not Produce Frequency Interference**

Marine grade downlight



## Optional

Special Arrangements Can Be Made For Projects Including Different Sizes, Materials, Material Colors



## Optional

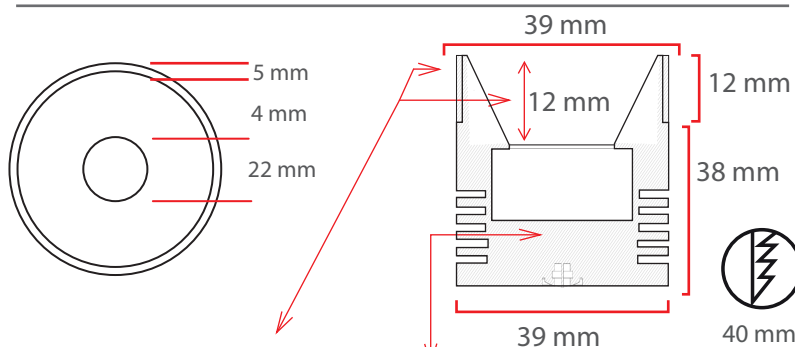
Main Light And Emergency OR Second Color

## Product Specifications

- Power Consumption : 3.6, 5, 7, 9 Watt
- Standart Voltage Internal Driver : 24 VDC Protected 60 VDC
- Optional Driverless : Current 3 OR 18 V 300 -1.500 ma
- Light Source Led : Mid Power OR High Power
- Dimmable : PWM, Voltage, Current
- Luminous Flux : 500 - 1.000 -1.350 Lumens

Temp Control Does Not Cause fire Voltage Limit Does Not Cause Frequency

## Dimensions



These Dimensions Can Be Changed Optionally

The Driver Is Protected In An Aluminum Housing

## Material Colors



## Light Angle

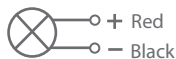


And Other Ral Codes

## Optional Connection



## Standart Connection

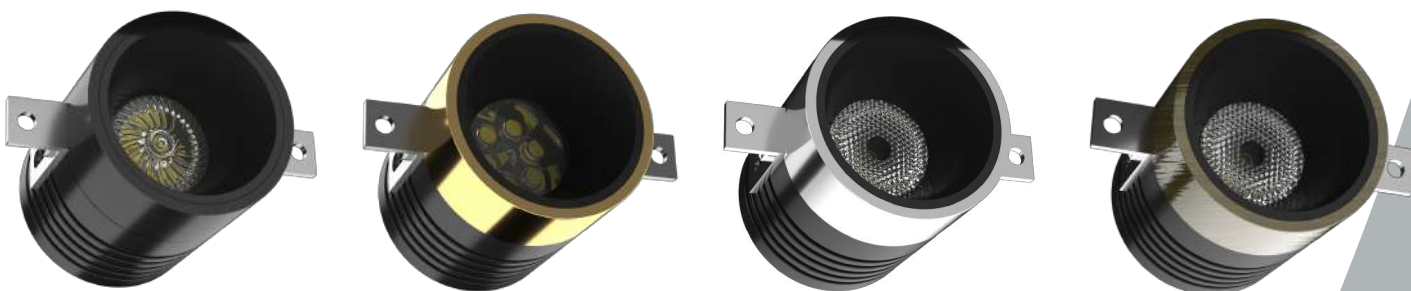


## Area Of Application

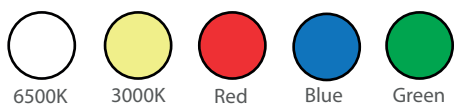
IP 40 Interior

IP 65 Exterior

## Interior



## Light Colors



## Certifications

