

# VERA V2



**!Heat-High Voltage-Peak-Protected  
Does Not Produce Frequency Interference**

Marine Grade Downlight



## Optional

Special Arrangements Can Be Made For Projects Including Different Sizes, Materials, Material Colors



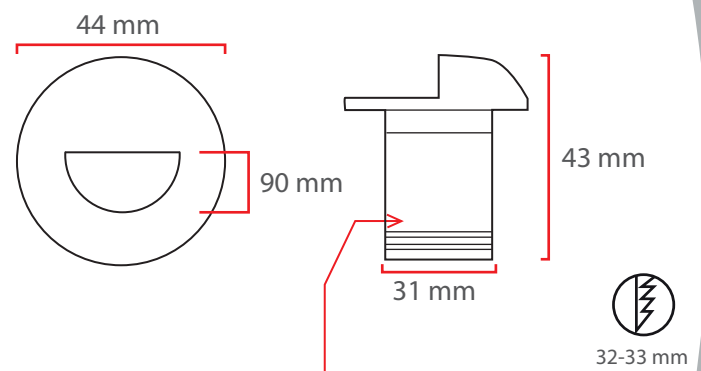
## Optional

Main Light And Emergency OR Second Color

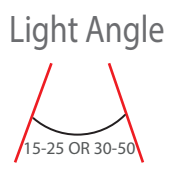
## Product Specifications

- Power Consumption.....: 1 Watt
- Standart Voltage Internal Driver.....: 24 VDC Protected 60 VDC
- Optional Driverless.....: Current 3 OR 18V 300 -1.500 ma
- Light Source Led.....: Mid Power OR High Power
- Dimmable.....: PWM, Voltage, Current
- Luminous Flux.....: 140 Lumens

## Dimensions



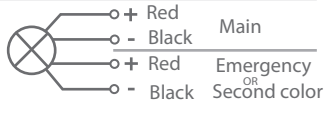
## Material Colors



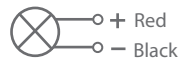
And Other Ral Codes

The Driver Is Protected In An Aluminum Housing

## Optional Connection

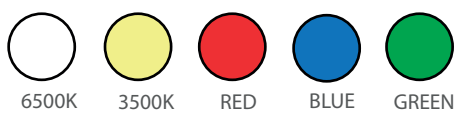


## Standart Connection



Area Of Application  
IP 40 Interior Optional IP65

## Light Colors



## Certifications

