

MINI S



**!Heat-High Voltage-Peak-Protected
Does Not Produce Frequency Interference**

Marine Grade Downlight



Optional

Special Arrangements Can Be Made For Projects Including Different Sizes, Materials, Material Colors



Optional

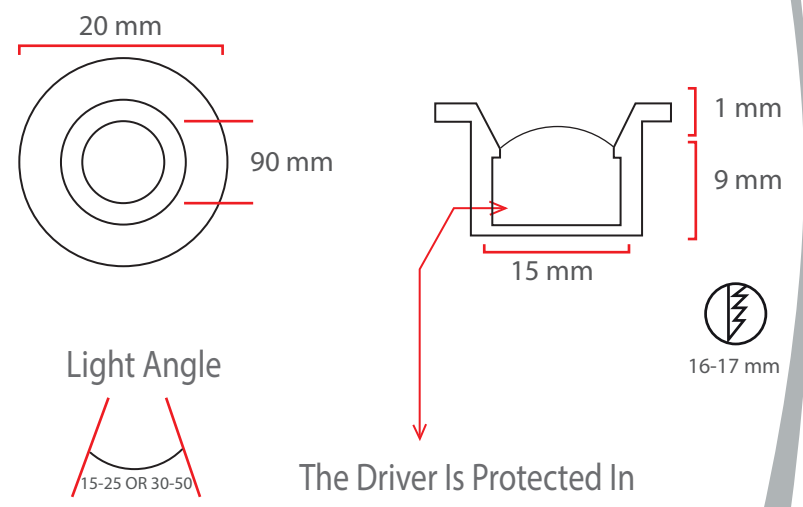
Main Light And Emergency OR Second Color

Product Specifications

- Power Consumption.....: 0.25 Watt
- Standart Voltage Internal Driver.....: 24 VDC Protected 60 VDC
- Optional Driverless.....: Current 3 OR 18 V 300 -1.500 ma
- Light Source Led.....: Mid Power OR High Power
- Dimmable.....: PWM, Voltage, Current
- Luminous Flux.....: 35 Lumens

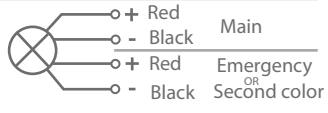
Temp Control Does Not Cause fire Voltage Limit Does Not Cause Frequency

Dimensions

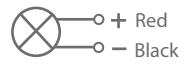


Material Colors

Optional Connection



Standart Connection



The Driver Is Protected In An Aluminum Housing

Area Of Application
IP 40 Interior Optional IP65



Light Colors

Certifications